

NORMACONNECT® REP E

THE REPAIR COUPLING

NORMACONNECT® REP E are non-restraint repair couplings. They are used to connect and/or seal damaged metal and plastic pipes. They also enable repairs to be carried out easily, quickly and safely without the need to dismantle the pipes.

NORMACONNECT® REP E Features:

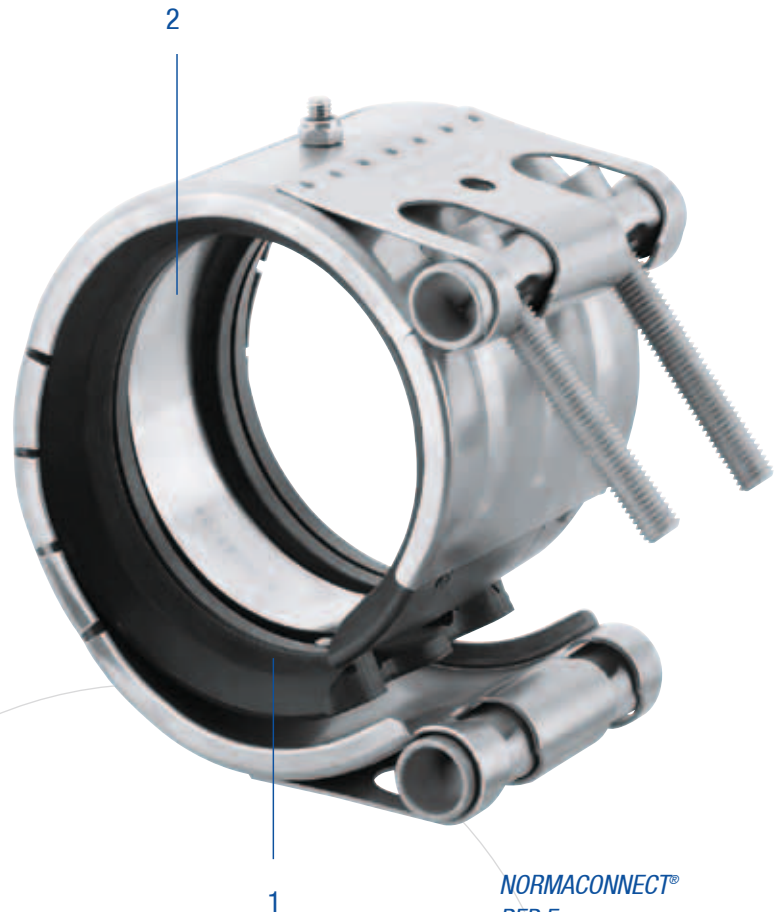
1. Double-lip sealing system*

2. Standard strip insert*

* For details refer to Product benefits pages 6–7.



NORMACONNECT®
REP E



NORMACONNECT®
REP E

Enquiries/ordering

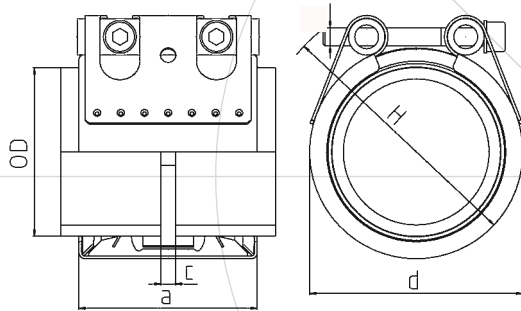
When making enquiries or placing orders please indicate:

Example:


- | | |
|--|-------|
| 1. The type (REP E) | REP E |
| 2. The required material (W5), (cf. page 10) | W5 |
| 3. The pipe outside diameter OD, (cf. table) | 609.6 |
| 4. The sealing sleeve material (EPDM, NBR) | EPDM |

For this example, the order text would read: NORMACONNECT® REP E – W5 – 609.6 – EPDM

NORMACONNECT® REP E

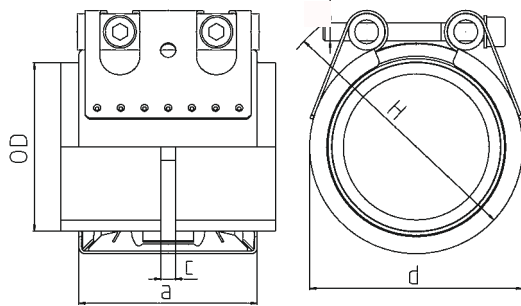


NORMACONNECT® REP E


OD (mm)	Clamping range		WP ¹⁾  (bar)	C _{max} (mm)	Clamping range		
	ODmin (mm)	– ODmax (mm)			a (mm)	d clamped approx. (mm)	H approx. (mm)
35.0	34.5	– 35.6	60	8	63	55	75
38.0	37.5	– 38.6	60	8	63	60	80
42.4	41.7	– 43.0	50	8	63	65	85
44.5	44.0	– 45.1	50	8	63	65	85
48.3	47.6	– 50.5	50	8	63	70	90
54.0	53.3	– 54.6	50	17	78	75	95
57.0	56.3	– 57.7	50	17	78	80	100
60.3	59.5	– 61.0	40	17	78	85	105
63.0	62.2	– 63.9	40	17	78	85	105
70.0	69.0	– 71.0	40	25	98	90	110
73.0	72.1	– 73.8	40	25	98	95	115
76.1	75.2	– 77.0	35	25	98	100	120
78.0	77.1	– 78.9	35	25	98	100	120
80.0	79.0	– 80.8	35	25	98	100	120
84.0	83.0	– 85.0	35	25	98	105	125
88.9	87.0	– 89.9	35	25	98	110	130
98.0	96.9	– 99.0	35	25	98	120	140
101.6	100.4	– 102.8	35	25	98	125	145
104.0	102.8	– 106.1	35	25	98	125	145
108.0	106.8	– 109.2	35	25	98	130	150
110.0	108.8	– 111.4	35	25	98	130	150
114.3	113.0	– 115.5	35	25	98	135	155
122.0	120.8	– 123.2	32	35	113	145	165
129.0	127.6	– 131.1	32	35	113	155	185
133.0	131.5	– 134.4	32	35	113	160	190
139.7	138.1	– 141.6	32	35	113	165	195
141.3	139.6	– 142.8	32	35	113	170	200
154.0	152.3	– 156.1	32	35	113	180	210
159.0	157.3	– 160.7	32	35	113	185	215
168.3	166.5	– 170.1	32	35	113	195	225

¹⁾ WP is the max working pressure in industrial applications, based on a safety factor as per NORMA specification.

NORMACONNECT® REP E



NORMACONNECT® REP E

OD (mm)	Clamping range		WP ¹⁾  (bar)	C _{max} (mm)	Clamping range		
	ODmin (mm)	– ODmax (mm)			a (mm)	d clamped approx. (mm)	H approx. (mm)
180.0	178.0	– 182.0	30.0	35	139	210	240
193.7	192.0	– 196.0	28.0	35	139	225	255
206.0	202.0	– 208.0	26.5	35	139	240	270
219.1	216.0	– 221.0	23.0	35	139	250	280
225.0	222.0	– 227.0	23.0	35	139	255	285
229.9	228.0	– 232.0	23.0	35	139	260	290
244.5	242.0	– 247.0	22.0	35	139	275	305
254.0	250.0	– 256.0	21.0	35	139	285	315
267.0	264.0	– 269.0	20.0	35	139	300	330
273.0	270.0	– 275.0	20.0	35	139	305	335
306.0	302.0	– 308.0	17.5	35	139	340	370
323.9	320.0	– 327.0	17.5	35	139	355	385
326.0	322.0	– 329.0	16.5	35	139	360	390
355.6	352.0	– 359.0	15.0	35	139	390	420
406.4	402.0	– 410.0	14.0	35	139	440	470
429.0	426.0	– 431.0	13.0	35	139	460	490
442.0	439.0	– 444.0	13.0	35	139	475	505
457.2	454.0	– 459.0	12.0	35	139	490	520
508.0	505.0	– 510.0	11.0	35	139	540	570
531.0	528.0	– 534.0	10.5	35	139	565	595
558.8	556.0	– 562.0	10.0	35	139	590	620
609.6	606.0	– 613.0	9.0	35	139	640	670
634.0	631.0	– 637.0	8.0	35	139	665	695
711.2	707.0	– 715.0	7.0	35	139	745	775
762.0	758.0	– 766.0	7.0	35	139	795	825
812.8	808.0	– 817.0	6.5	35	139	845	875
914.4	909.0	– 919.0	5.5	35	139	945	975
1016.0	1013.0	– 1019.0	5.0	35	139	1050	1080
1117.5	1114.0	– 1120.0	4.5	35	139	1150	1180
1219.2	1216.0	– 1222.0	4.0	35	139	1250	1280

¹⁾ WP is the max working pressure in industrial applications, based on a safety factor as per NORMA specification.

Sizes > 1219.2 mm on request.