

NORMACONNECT® – Pipe Connections

NORMACONNECT® V PP Profile clamps

The V PP profile clamps are reliable and time-effective connection elements.

Short description of technical features



- ❶ Integral clamping device
- ❷ Closure
- ❸ Pressed profile

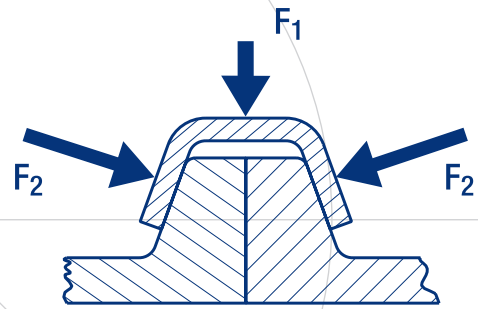
NORMACONNECT® V PP Profile clamp without cover band

NORMACONNECT® – Pipe Connections

Product function

The profile clamp works with the principle of the inclined plane: when the closure is tightened, a circumferential force F_1 is exerted on the profile segments. By means of the profile, the two flange parts are tightly joined.

The exerted circumferential force is converted into a considerably higher axial force F_2 .



NORMACONNECT®
Pipe Connections

Typical applications

NORMACONNECT®V profile clamps are quick assembly connecting devices for flanges which offer an economical alternative to conventional bolted flange joints.

Examples for applications

- Exhaust gas systems
- Exhaust gas recirculation (EGR)
- Charged air applications
- Cooling systems
- Filter systems



Exhaust gas recirculation

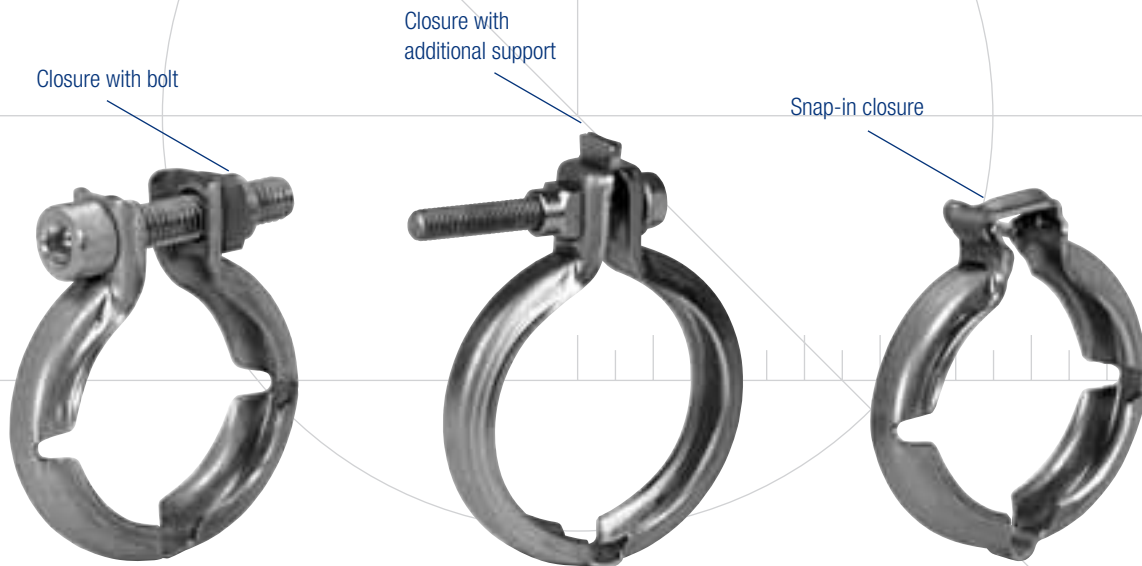


Exhaust gas recirculation

NORMACONNECT® – Pipe Connections

Technical features

NORMACONNECT®
Pipe Connections



NORMACONNECT® V PP Profile clamp without cover band

- Material 1.4301
(other materials on demand)
 - Internal profile diameters available:*
- | | |
|-------------------|----------------|
| Closure with bolt | 20 mm – 180 mm |
| Snap-in closure | 20 mm – 45 mm |

* depending on the closure design and the type of profile

Profile clamps offered in this brochure are designed to function strictly at the operating conditions specified by the customer.

Please note that these clamps are exclusively made to order.

NORMACONNECT® – Pipe Connections

Ordering information

Profile clamps selected from this brochure are designed to function strictly at the operating conditions specified. Please ensure that the full range of operating conditions have been investigated prior to the selection of a clamp.

Subject to technical modifications. Prices on request. All orders are subject to our general terms and conditions of sale.

NORMACONNECT® V PP profile clamps are not available ex stock. As a quality certified company, we guarantee constantly

high quality standards. NORMA® products are manufactured using modern production techniques and high quality materials. They function as described if used for the purposes specified by us and if our assembly instructions are followed correctly. If you have any doubts about possible uses and correct assembly, please contact us for advice.

